

20

SPECIAL NEEDS
Collection





www.jika.eu

JIKA

A LAUFEN GROUP COMPANY



MODEL

Mio

REF. NO.

8.2471.6.000.000.1

DESCRIPTION

Washdown WC, floor standing
horizontal or vertical outlet,

Ceramic cistern

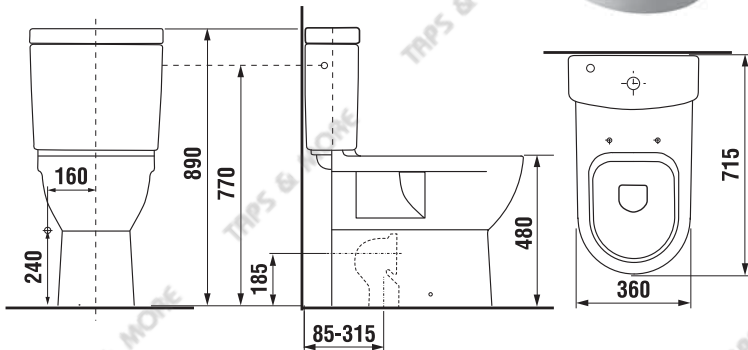
bottom water supply

dual flush 3/6 l

chrome plated push button

FINISH

White



Recommended Toilet Seat & Cover :



MODEL

Dario Plus

REF. NO.

DARIOPLUS-AMS

DESCRIPTION

Toilet seat & cover with **soft-close**
adjustable quick release
push-button stainless steel hinges

FINISH

White



MODEL

Olymp

REF. NO.

8.2064.2.000.000.1

DESCRIPTION

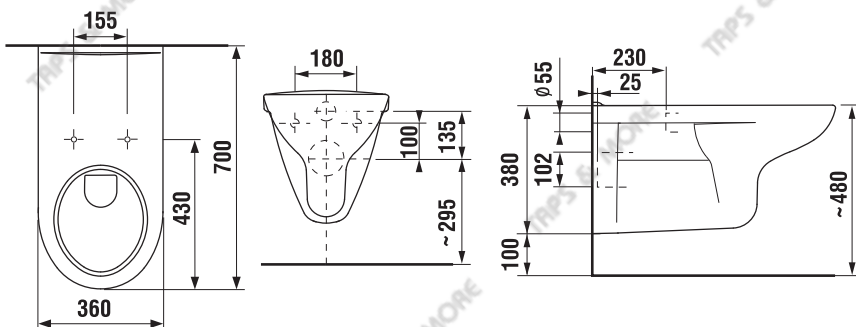
Washdown WC, wall hung

Toilet seat without cover
duraplast with soft-close
mechanism

Ref. 8.9328.2.300.063.1

FINISH

White



Recommended Toilet Seat & Cover alternatives :



MODEL

Twist

REF. NO.

TWIST-AMS

DESCRIPTION

Toilet seat & cover with **soft-close**
adjustable quick release
push-button stainless steel hinges

FINISH

White

MODEL

Twist

REF. NO.

TWIST-AP

DESCRIPTION

Toilet seat & cover with
adjustable plastic hinges

FINISH

White





MODEL

Mio

REF. NO.

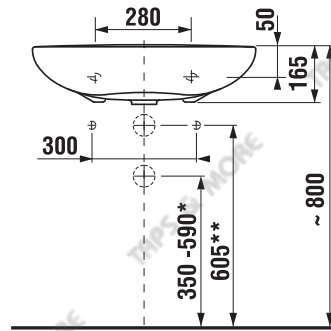
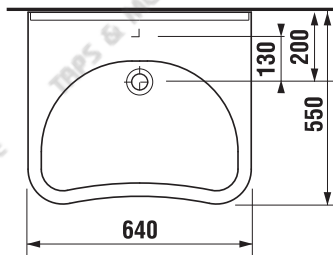
8.1371.4.000.104.1

DESCRIPTION

Washbasin
640 x 550 mm
with tap hole,
without overflow hole

FINISH

White



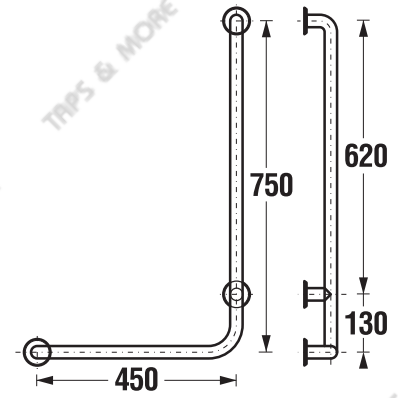


MODEL
Universum

REF. NO.
3.8971.2.000.000.1

DESCRIPTION
Handrail for showers
left side
750 x 450 mm

FINISH
White

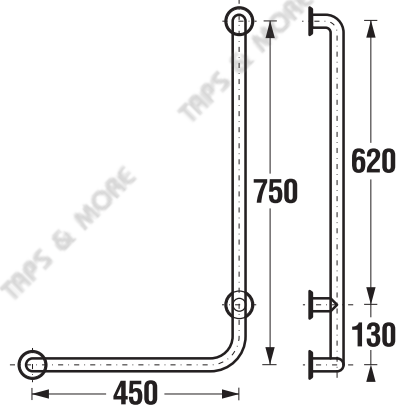


MODEL
Universum

REF. NO.
3.8971.2.003.000.1

DESCRIPTION
Handrail for showers
left side
750 x 450 mm

FINISH
Stainless Steel

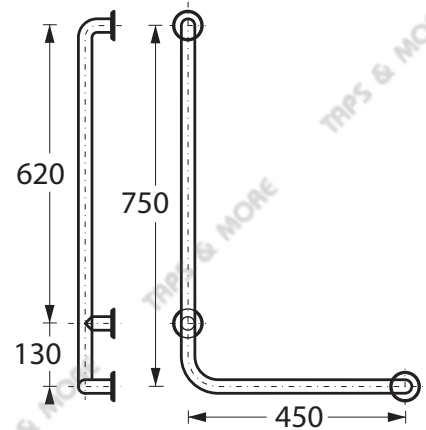


MODEL
Universum

REF. NO.
3.8972.2.000.000.1

DESCRIPTION
Handrail for showers
right side
750 x 450 mm

FINISH
White

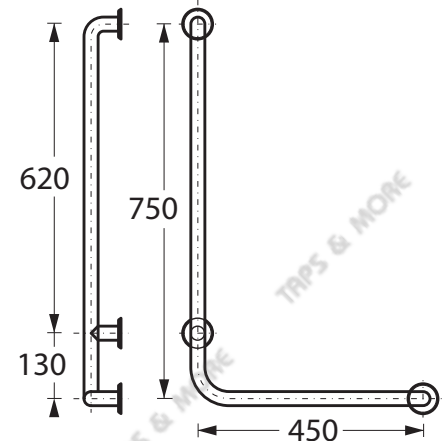


MODEL
Universum

REF. NO.
3.8972.2.003.000.1

DESCRIPTION
Handrail for showers
right side
750 x 450 mm

FINISH
Stainless Steel

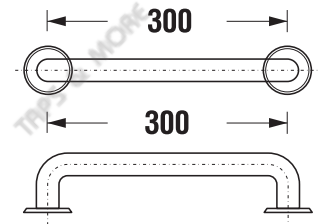


MODEL
Universum

REF. NO.
3.8971.1.000.000.1

DESCRIPTION
Grab bar 300 mm

FINISH
White

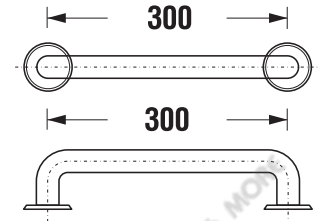


MODEL
Universum

REF. NO.
3.8971.1.003.000.1

DESCRIPTION
Grab bar 300 mm

FINISH
Stainless Steel

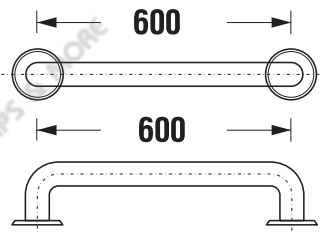


MODEL
Universum

REF. NO.
3.8972.1.000.000.1

DESCRIPTION
Grab bar 600 mm

FINISH
White

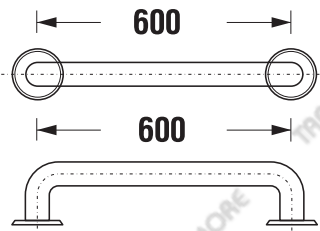


MODEL
Universum

REF. NO.
3.8972.1.003.000.1

DESCRIPTION
Grab bar 600 mm

FINISH
Stainless Steel

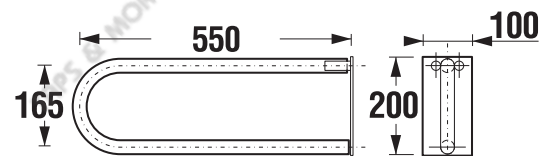


MODEL
Universum

REF. NO.
3.8971.5.000.000.1

DESCRIPTION
U-Shaped foldable support arm
550 mm

FINISH
White

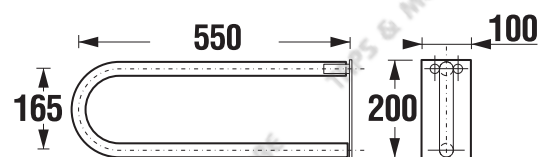


MODEL
Universum

REF. NO.
3.8971.5.003.000.1

DESCRIPTION
U-Shaped foldable support arm
550 mm

FINISH
Stainless Steel





MODEL

HansaClinica

REF. NO.

01502176

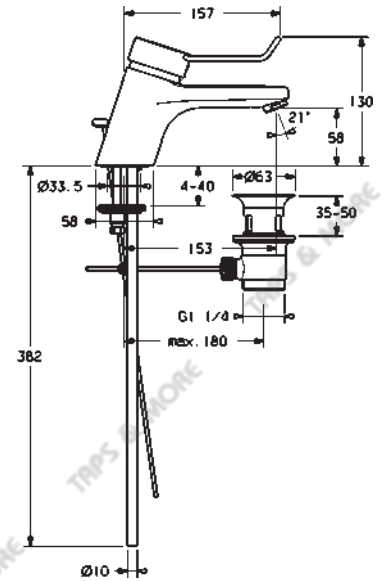
DESCRIPTION

Single lever washbasin mixer with pop-up waste set 1 1/4"

- operating lever loop shape
- connection using copper pipes
- projection: 153 mm
- flow rate: 12 l/min, at 3 bar hydraulic pressure
- spout: fix, cast

FINISH

Brass Chrome Plated





MODEL

Red

REF. NO.

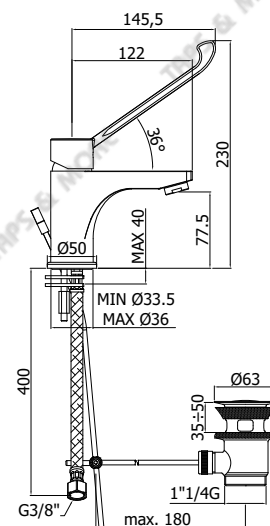
RED305CR

DESCRIPTION

Single lever washbasin mixer with pop-up waste set 1 1/4" and LEVA CLINICA long lever

FINISH

Brass Chrome Plated



MODEL

Red

REF. NO.

RED302CR

DESCRIPTION

Wall mounted single lever mixer with LEVA CLINICA long lever & swivel spout

FINISH

Brass Chrome Plated

