

17

ELECTRONIC TAP & MIXER
Collection





HANSA

experience water

www.hansa.com



MODEL

HANSAMURANO X

REF. NO.

56052200

DESCRIPTION

Electronic washbasin mixer,

DN 15 mains supply

flow rate: 9 l/min,

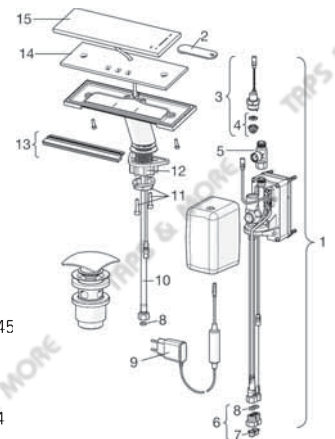
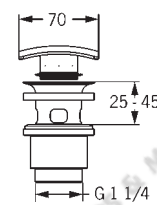
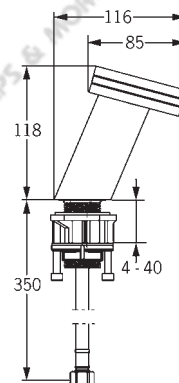
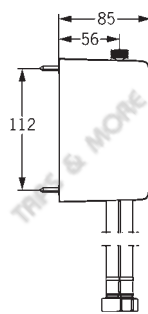
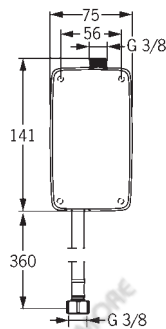
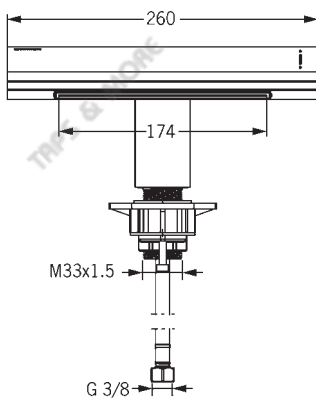
at 3 bar hydraulic pressure

- Self-closing valve
- adjustable mix water temperature
- push-pop-up waste
- flexible hoses
- plug power supply
- connection cable 2.0 m

projection: 85 mm

FINISH

Brass Chrome Plated



MODEL

Hansafit

REF. NO.

65412210

DESCRIPTION

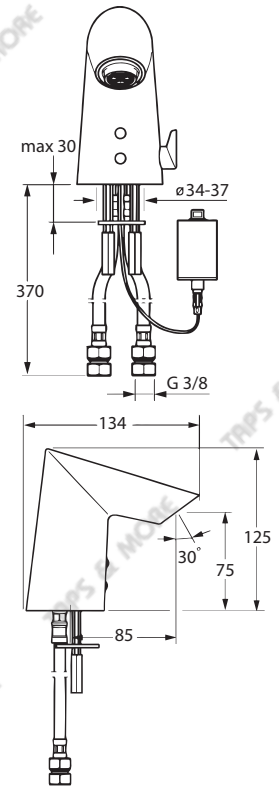
Electronic washbasin mixer,
DN 15 battery-operated
sensory operation (infrared)
flow rate: 5 l/min, at 3 bar
hydraulic pressure

- adjustable mix water temperature
- CACHÉ® flow straightener with fitting wrench
- sensor parameters at factory optimally preset
- no forced flushing
- without pop-up waste
- without draw-rod opening
- flexible hoses
- fitting can be deactivated for cleaning, with the added cover
- Faucet is GGT-approved - user test "good"

projection: 85 mm

FINISH

Chrome Plated



Battery not included.
Recommended battery :



Lithium battery 2CR5 6V / DL245 6V

MODEL

Prima-E

REF. NO.

52742210

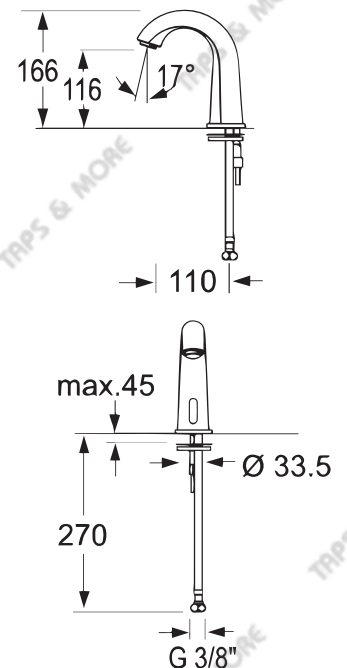
DESCRIPTION

Electronic washbasin tap
battery-operated
sensory operation (infrared)
for cold water only
flow rate: 6 l/min, at 3 bar
hydraulic pressure

- cascade aerator
- solenoid valve
- sensor sensitivity : permanently self-adjusting
- rinsing time pre-set at 1 second
- without pop-up waste
- without draw-rod opening
- connection with 1 flexible hose and dirt-collecting filter

FINISH

Brass Chrome Plated



Battery not included.
Recommended battery :



Lithium battery DL223A / CR-P2

MODEL

HANSAELECTRA

REF. NO.

00880010

DESCRIPTION

Electronic washbasin mixer,
DN 15 battery-operated
sensory operation (infrared)
as wall-mounted spout
flow rate: 6 l/min,
at 3 bar hydraulic pressure

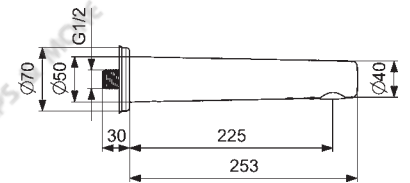
- Fitting body: brass
- for cold or pre-tempered water only
- sensor parameters at factory optimally preset
- adjustable electronic function
 - forced flushing 12/24/47/72 hours (factory setting: off)
 - recognition range
- CARE® flow straightener M24 x 1, laminar
- thief-proof
- spout can be removed without an inner body
- integrated shut-off valve with strainer

projection: 225 mm

spout: fix, cast

FINISH

Brass Chrome Plated



Battery not included.
Recommended battery :



2 x 1.5 V lithium batteries (LR91/FR6/AA)



MODEL

HANSANOVA

REF. NO.

0096 8101

DESCRIPTION

Wall-mounted washbasin tap
DN 15 P-IX 28292/IZ
flow rate: 6 l/min,
at 3 bar hydraulic pressure

- can be shortened from 186 to 126 mm

projection: 186 mm

FINISH

Brass Chrome Plated

