

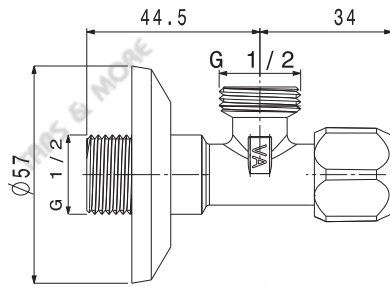
15

ANGLE VALVE Collection

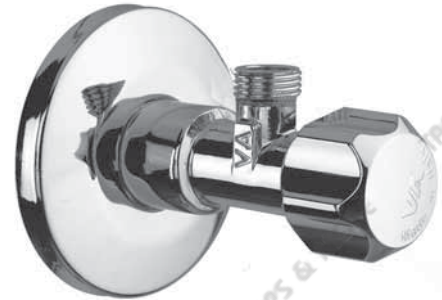
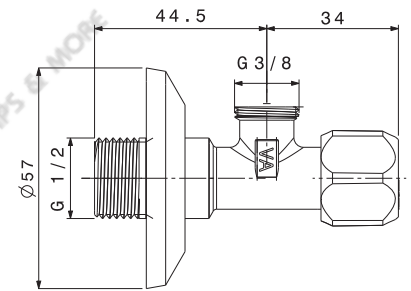




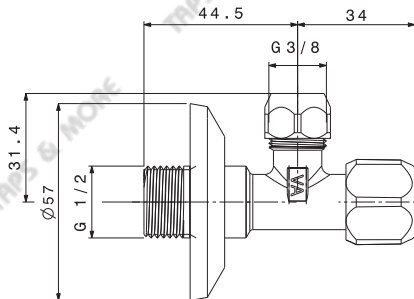
REF. NO.
C408681
DESCRIPTION
Round ABS handle
angle valve w/ rosette
SIZE
1/2 x 1/2
FINISH
Brass Chrome Plated



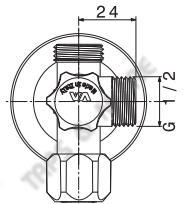
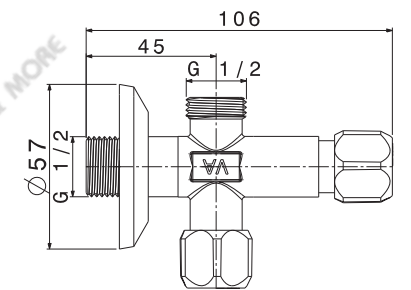
REF. NO.
C406281SD
DESCRIPTION
Round ABS handle
angle valve w/ rosette
SIZE
1/2 x 3/8
FINISH
Brass Chrome Plated



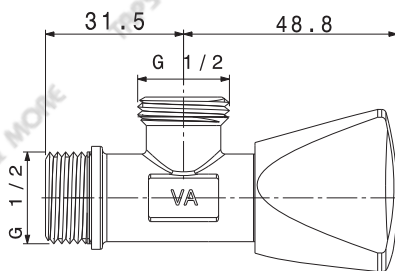
REF. NO.
C406281
DESCRIPTION
Round ABS handle angle valve
w/ short compression nut
w/ rosette
SIZE
1/2 x 3/8
FINISH
Brass Chrome Plated



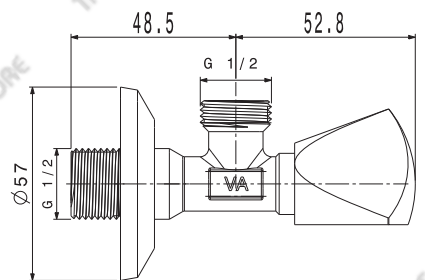
REF. NO.
D448894
DESCRIPTION
Round ABS handle dual
angle valve w/ rosette
SIZE
1/2 x 1/2 x 1/2
FINISH
Brass Chrome Plated



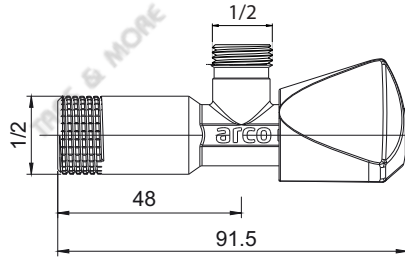
REF. NO.
D105686
DESCRIPTION
Triangle metal handle angle
valve w/ blue & red markings
w/out rosette
SIZE
1/2 x 1/2
FINISH
Brass Chrome Plated



REF. NO.
C147486
DESCRIPTION
Triangle metal handle angle
valve w/ rosette
SIZE
1/2 x 1/2
FINISH
Brass Chrome Plated

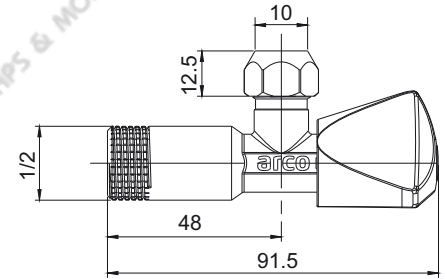


MODEL
A-80
REF. NO.
LP730
DESCRIPTION
Triangle metal handle angle valve w/ blue & red markings and rosette
SIZE
1/2 x 1/2
FINISH
Brass Chrome Plated



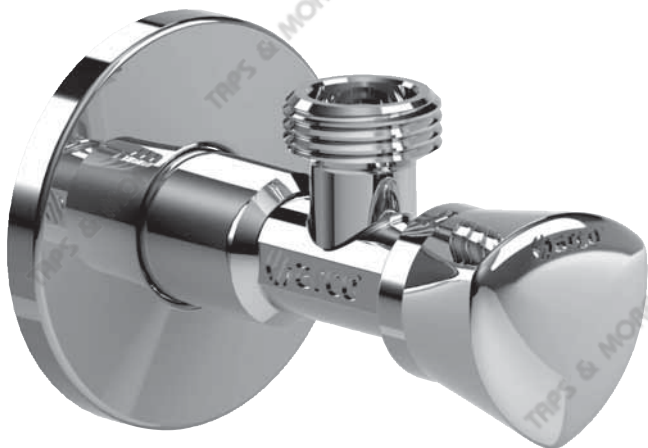
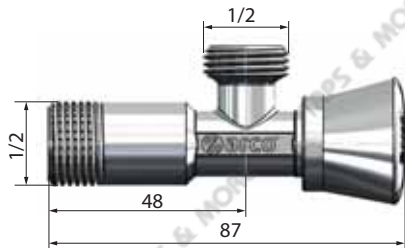
QUARTER TURN

MODEL
A-80
REF. NO.
LP740
DESCRIPTION
Triangle metal handle angle valve w/ long compression nut, w/ blue & red markings and rosette
SIZE
1/2 x 3/8
FINISH
Brass Chrome Plated

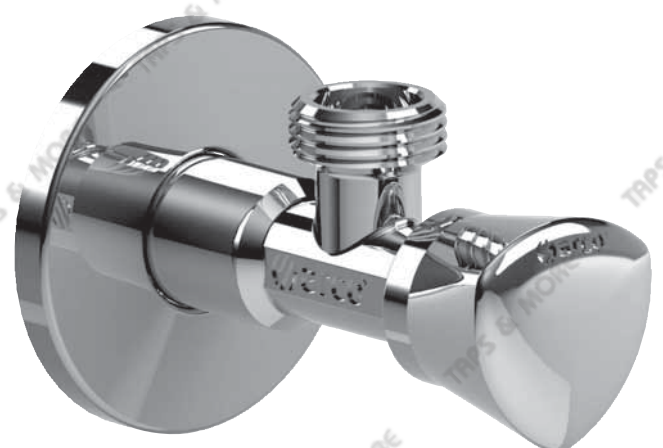


QUARTER TURN

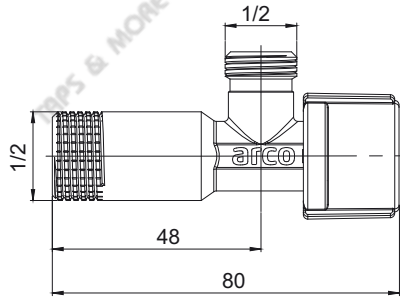
MODEL
Regula
REF. NO.
Z0912
DESCRIPTION
Triangle ABS handle angle valve w/ decorative rosette
SIZE
1/2 x 1/2
FINISH
Brass Chrome Plated



MODEL
Regula
REF. NO.
Z0900
DESCRIPTION
Triangle ABS handle angle valve w/ decorative rosette
SIZE
1/2 x 3/8
FINISH
Brass Chrome Plated

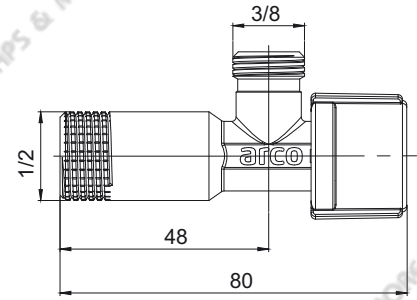


MODEL
A-80
REF. NO.
NOV06
DESCRIPTION
ABS handle angle valve
w/ rosette
SIZE
1/2 x 1/2
FINISH
Brass Chrome Plated



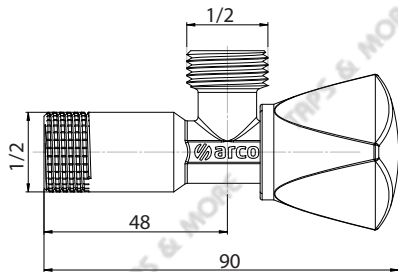
QUARTER TURN

MODEL
A-80
REF. NO.
NOV23
DESCRIPTION
ABS handle angle valve
w/ rosette
SIZE
1/2 x 3/8
FINISH
Brass Chrome Plated



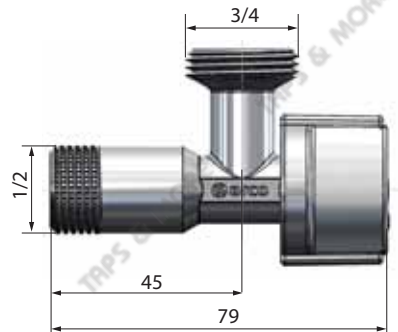
QUARTER TURN

MODEL
A-80
REF. NO.
LP810
DESCRIPTION
Triangle metal handle angle
valve w/ decorative rosette
SIZE
1/2 x 1/2
FINISH
Brass Chrome Plated



QUARTER TURN

MODEL
L-85
REF. NO.
00728
DESCRIPTION
ABS handle angle valve
w/ rosette
SIZE
1/2 x 3/4
FINISH
Brass Chrome Plated



QUARTER TURN

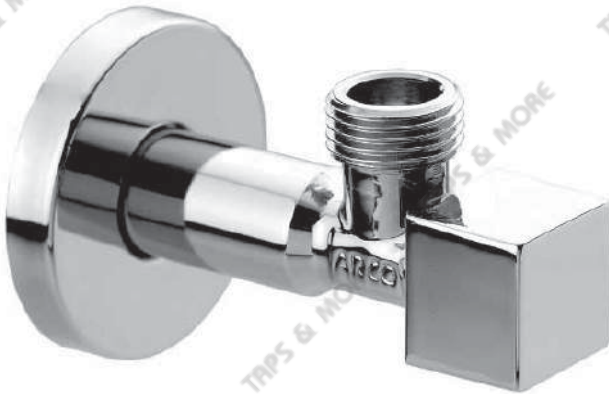
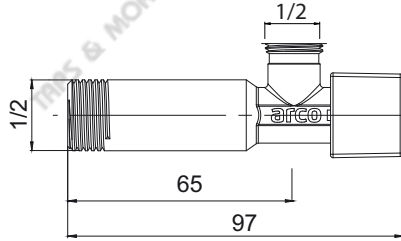
MODEL
Cubo

REF. NO.
5 CUBO

DESCRIPTION
Decorative metal handle angle valve w/ rosette

SIZE
1/2 x 1/2

FINISH
Brass Chrome Plated



QUARTER TURN

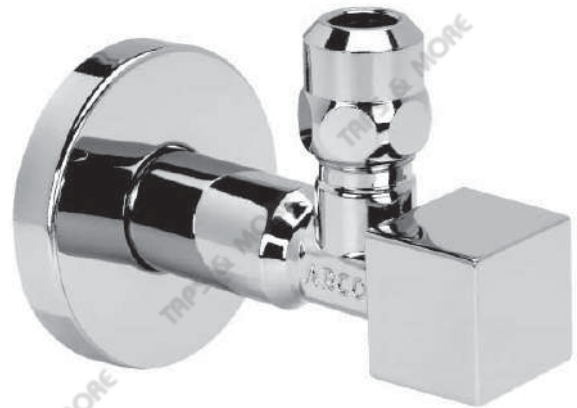
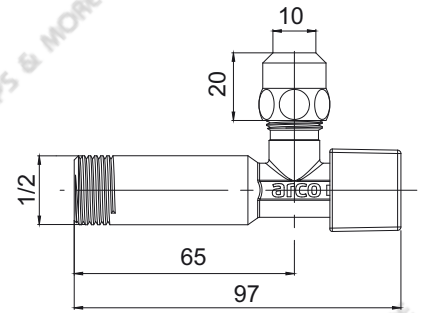
MODEL
Cubo

REF. NO.
1 CUBO

DESCRIPTION
Decorative metal handle angle valve w/ long compression nut and rosette

SIZE
1/2 x 3/8

FINISH
Brass Chrome Plated



QUARTER TURN

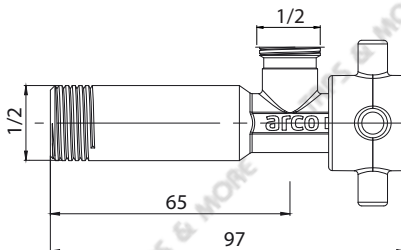
MODEL
Star

REF. NO.
5 STAR

DESCRIPTION
Decorative metal handle angle valve w/ rosette

SIZE
1/2 x 1/2

FINISH
Brass Chrome Plated



QUARTER TURN

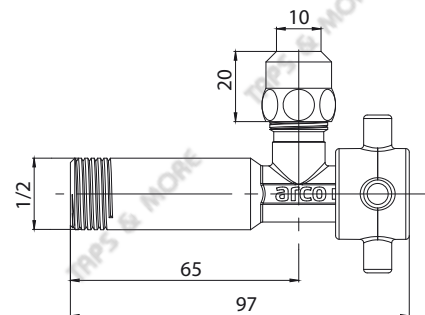
MODEL
Star

REF. NO.
1 STAR

DESCRIPTION
Decorative metal handle angle valve w/ long compression nut and rosette

SIZE
1/2 x 3/8

FINISH
Brass Chrome Plated



QUARTER TURN

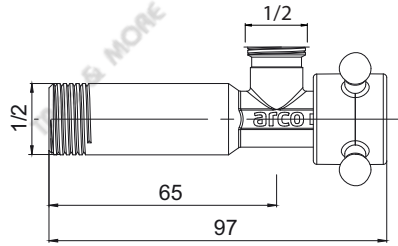
MODEL
Clasica

REF. NO.
5 CLASICA

DESCRIPTION
Decorative metal handle angle valve w/ rosette

SIZE
1/2 x 1/2

FINISH
Brass Chrome Plated



QUARTER TURN

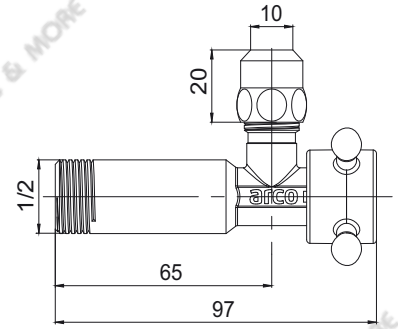
MODEL
Clasica

REF. NO.
1 CLASICA

DESCRIPTION
Decorative metal handle angle valve w/ long compression nut and rosette

SIZE
1/2 x 3/8

FINISH
Brass Chrome Plated



QUARTER TURN

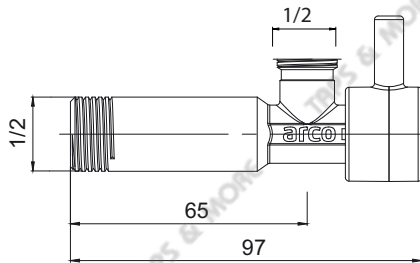
MODEL
Tech

REF. NO.
5 TECH

DESCRIPTION
Decorative metal handle angle valve w/ rosette

SIZE
1/2 x 1/2

FINISH
Brass Chrome Plated



QUARTER TURN

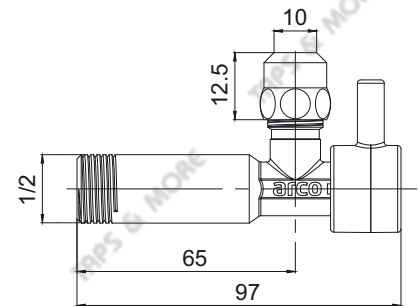
MODEL
Tech

REF. NO.
1 TECH

DESCRIPTION
Decorative metal handle angle valve w/ long compression nut and rosette

SIZE
1/2 x 3/8

FINISH
Brass Chrome Plated



QUARTER TURN